

OEM MANUFACTURER OF LIFTING TOOLS AND HAND TOOLS

YOUR TOOLS PROFESSIONER



PRO
VAKMAN



Алматы (7273)495-231
Ангарск (3955)60-70-56
Архангельск (8182)63-90-72
Астрахань (8512)99-46-04
Барнаул (3852)73-04-60
Белгород (4722)40-23-64
Благовещенск (4162)22-76-07
Брянск (4832)59-03-52
Владивосток (423)249-28-31
Владикавказ (8672)28-90-48
Владимир (4922)49-43-18
Волгоград (844)278-03-48
Вологда (8172)26-41-59
Воронеж (473)204-51-73
Екатеринбург (343)384-55-89

Россия +7(495)268-04-70

Иваново (4932)77-34-06
Ижевск (3412)26-03-58
Иркутск (395)279-98-46
Казань (843)206-01-48
Калининград (4012)72-03-81
Калуга (4842)92-23-67
Кемерово (3842)65-04-62
Киров (8332)68-02-04
Коломна (4966)23-41-49
Кострома (4942)77-07-48
Краснодар (861)203-40-90
Красноярск (391)204-63-61
Курск (4712)77-13-04
Курган (3522)50-90-47
Липецк (4742)52-20-81

Казахстан +7(7172)727-132

Магнитогорск (3519)55-03-13
Москва (495)268-04-70
Мурманск (8152)59-64-93
Набережные Челны (8552)20-53-41
Нижний Новгород (831)429-08-12
Новокузнецк (3843)20-46-81
Ноябрьск (3496)41-32-12
Новосибирск (383)227-86-73
Омск (3812)21-46-40
Орел (4862)44-53-42
Оренбург (3532)37-68-04
Пенза (8412)22-31-16
Петрозаводск (8142)55-98-37
Псков (8112)59-10-37
Пермь (342)205-81-47

Киргизия +996(312)96-26-47

Ростов-на-Дону (863)308-18-15
Рязань (4912)46-61-64
Самара (846)206-03-16
Саранск (8342)22-96-24
Санкт-Петербург (812)309-46-40
Саратов (845)249-38-78
Севастополь (8692)22-31-93
Симферополь (3652)67-13-56
Смоленск (4812)29-41-54
Сочи (862)225-72-31
Ставрополь (8652)20-65-13
Сургут (3462)77-98-35
Сыктывкар (8212)25-95-17
Тамбов (4752)50-40-97
Тверь (4822)63-31-35

Тольятти (8482)63-91-07
Томск (3822)98-41-53
Тула (4872)33-79-87
Тюмень (3452)66-21-18
Ульяновск (8422)24-23-59
Улан-Удэ (3012)59-97-51
Уфа (347)229-48-12
Хабаровск (4212)92-98-04
Чебоксары (8352)28-53-07
Челябинск (351)202-03-61
Череповец (8202)49-02-64
Чита (3022)38-34-83
Якутск (4112)23-90-97
Ярославль (4852)69-52-93

vnb@nt-rt.ru || <https://vakman.nt-rt.ru/>



简介

COMPANY PROFILE

Cangzhou Xunde Imp.&Exp.Co. , Ltd is one professional OEM manufacturer and trading company which located in Cangzhou city Hebei Province .

Hand tools(pliers,adjustable wrench,hand riveter ,water pump pliers etc.) and Lifting tools (hand pallet truck,mini electric hoist, chain block ,lever block, drum lifter etc.) are our main products range. We have been in this field since 2000 and exported more than 30 countries so far.

"PRO-VAKMAN" as our own brand , quality and after - service are always the first consideration, So you will have no any worries to choose us.

Come to be one cooperation partner of Cangzhou Xunde , you will be welcome any time .





LIFTING TOOLS SERIES



HAND PALLET TRUCK



VAK 2000/2500



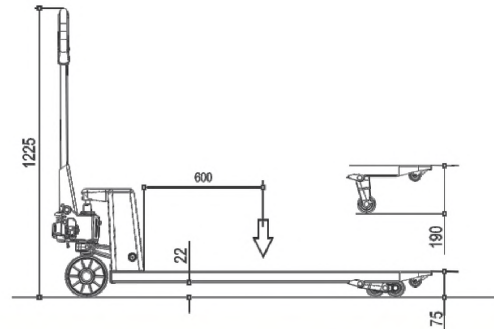
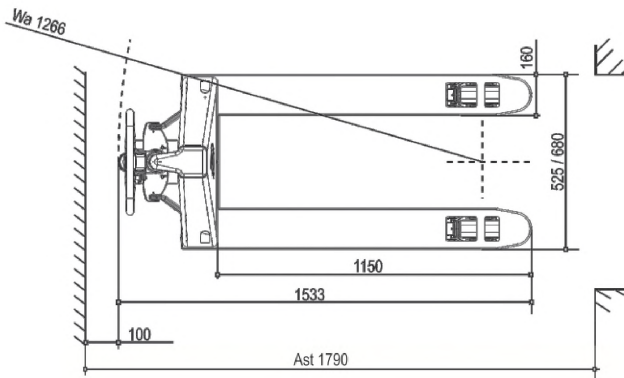
Nylon Wheel



Casting steel bracket

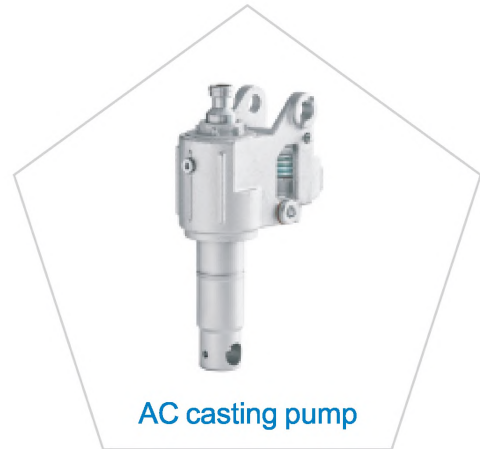


Both AC and DF pump can be done



Item	Unit	Size(kg)	
		VAK-2000	VAK-2500
Capacity	kg		
Fork outside width	mm	550	685
Fork length	mm	1200	1200
Max.fork height	mm	190-200	190-200
Lowered fork height	mm	75-85	75-85
Steering wheel size	mm	180x50	
Load wheel size- double wheel	mm	80x70	
Load wheel size- single wheel	mm	74x93 or 74x 70	
Type of wheels		Nylon, PU, Rubber	
Net weight	kg	58-65	65-74

HAND PALLET TRUCK



VAK 3000/5000

Wheel Option

Nylon wheel Rubber wheel PU wheel

Handle Option

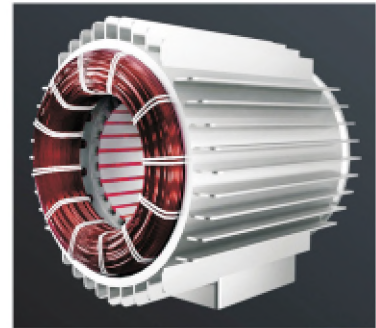
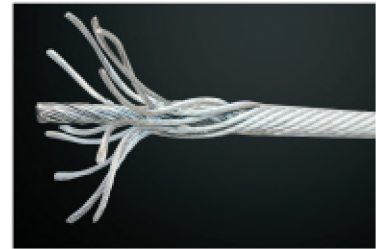
triangle handle square handle with rubber

Item	Unit	Size	
Capacity	kg	VAK-3000	VAK-5000
Fork outside distance	mm	550	685
Fork length	mm	1200	1200
Max.fork height	mm	190-200	190-200
Lowered fork height	mm	75-85	75-85
Steering wheel size	mm	180x50	
Load wheel size	mm	80x70 (double wheel)	
Type of wheels		Nylon, PU, Rubber	
Truck weight	kg	70-76	130-140



MINI ELECTRIC HOIST

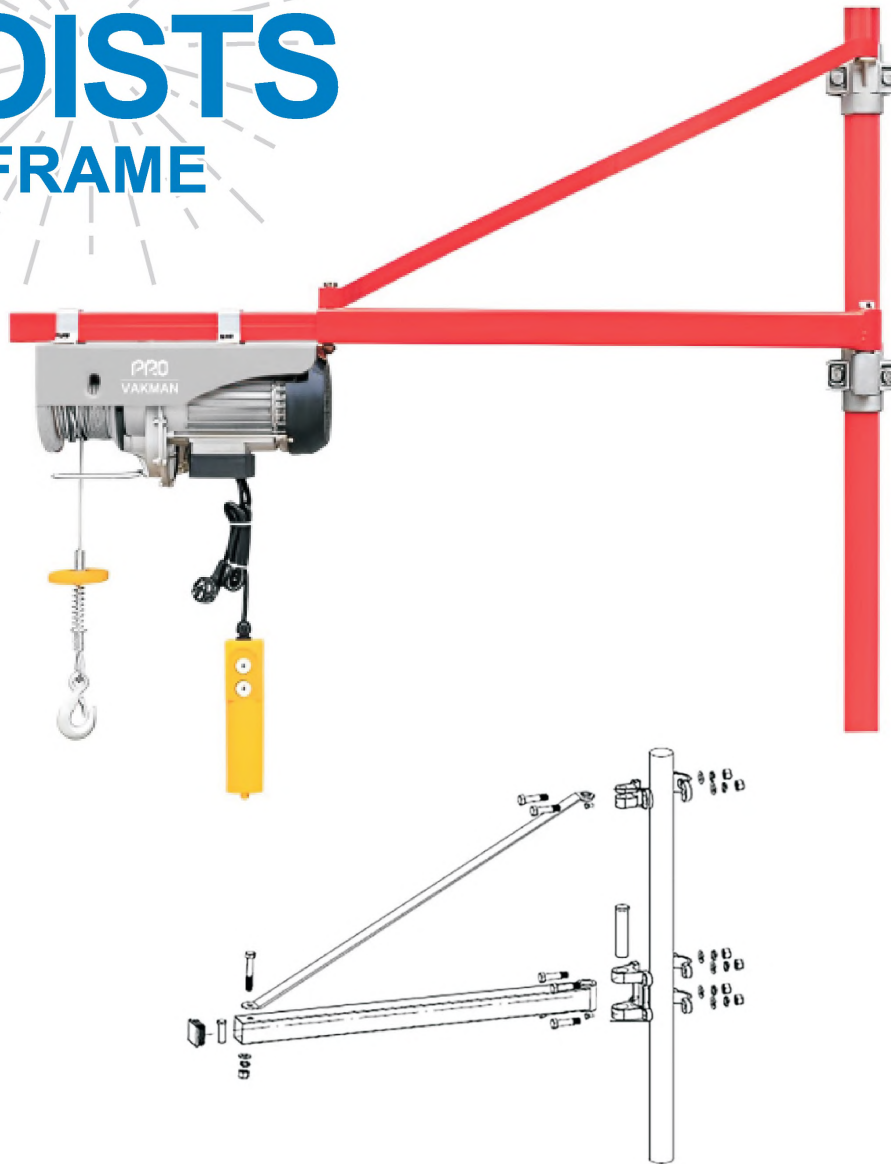
VAK 200/250/300/400/500/600/800/1000/1200



Model	Method of use	Rated Voltage (V)	Input Power (W)	Rated Lifting weight (kgs)	Lifting Speed (m/min)	Rope length option (m)	QTY/CT N (pcs)	Packing Dimension (cm)	G.W. N.W. (kg)
VAK-200	single/double hook	220/230/110	480	100/200	5/10	12/18/20/30	1	37x14x23	11.5/11
VAK-250	single/double hook	220/230/110	540	125/250	5/10	12/18/20/30	1	37x14x23	11.5/11
VAK-300	single/double hook	220/230/110	600	150/300	5/10	12/18/20/30	1	44x16x25	12/11.5
VAK-400	single/double hook	220/230/110	950	200/400	5/10	12/18/20/30	1	44x16x25	13/12.5
VAK-500	single/double hook	220/230/110	1020	250/500	5/10	12/18/20/30	1	44x16x25	16/15
VAK-600	single/double hook	220/230/110	1200	300/600	5/10	12/18/20/30	1	44x16x25	17/16
VAK-800	single/double hook	220/230/110	1300	400/800	5/10	12/18/20/30	1	44x16x25	18/17
VAK-1000	single/double hook	220/230/110	1600	500/1000	5/10	12/18/20	1	52x25x32	30/29
VAK-1200	single/double hook	220/230/110	1800	600/1200	5/10	12/18/20	1	52x25x32	32/31



ROTARY HOISTS FRAME



Product models	Rated hanging weigh(kg)	Rated lifting length(mm)	QTY/CTN (pcs)	Packing dimension(c m)	G.W./N.W .(kg)
VAK-250-1100	250	1100	4	86x22x20	32/30
VAK-300-1100	300	1100	4	86x22x20	32/30
VAK-600-750	600	750	4	86x22x20	24/22



MICRO ELECTRIC HOISTS TROLLEY

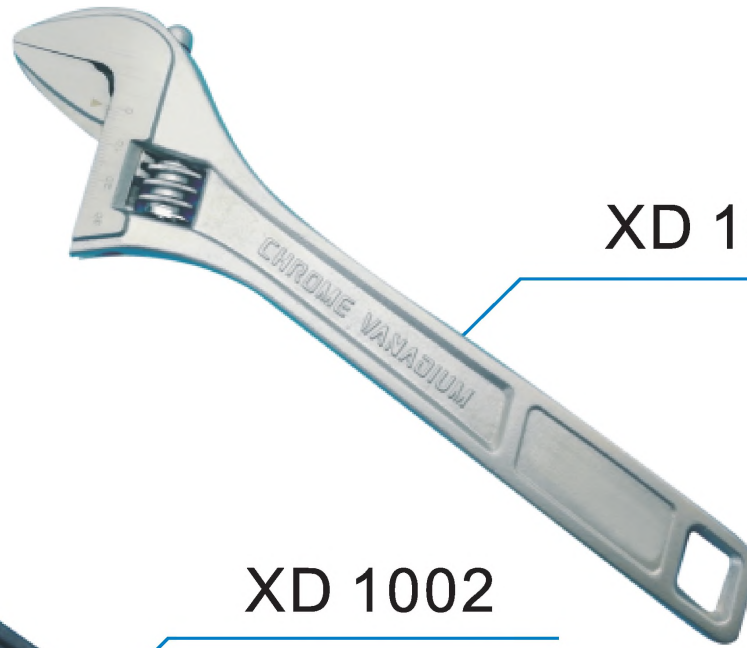


Model		VAK0.5	TD1.0
Rated Capacity(t)		0.5	1
standard height		6	6
Moving speed(m/min)		13	13
Motor Parameter	Rated Volt(v)	AC 100/110/120/220/230/240 50/60Hz	
	Power(w)	300	510
	Speed(r/min)	1400	1400
Min radius of crooked track which can pass(m)		1	1.5
I beam available	Model of steel ben(a)	10-18	14-20
	Width of track(mm)	68-94	80-102
N.W(kg)		14	16

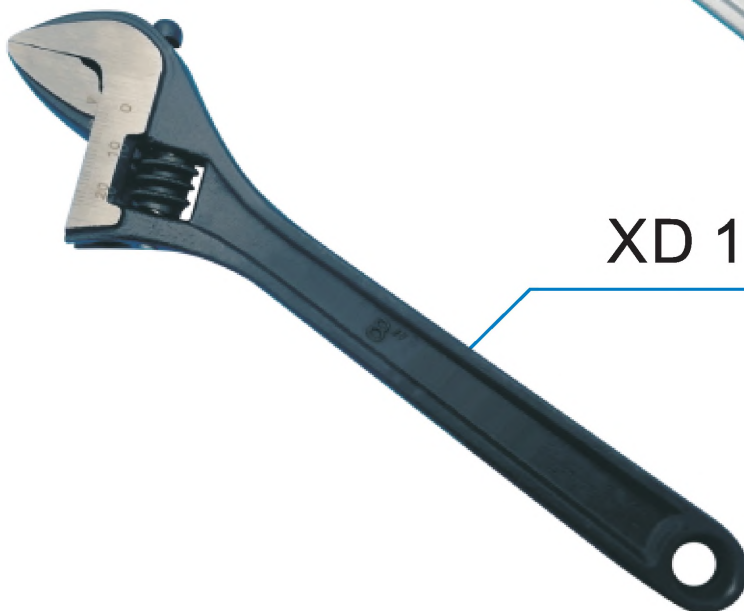


Adjustable Wrench new type

Material: 45# and 55# Carbon Steel, CR-V
Size: 6", 8", 10", 12"
Logo: Laser or emboss
Surface Treatment : Nickel Plating,
Chrome Plating ,Black finish



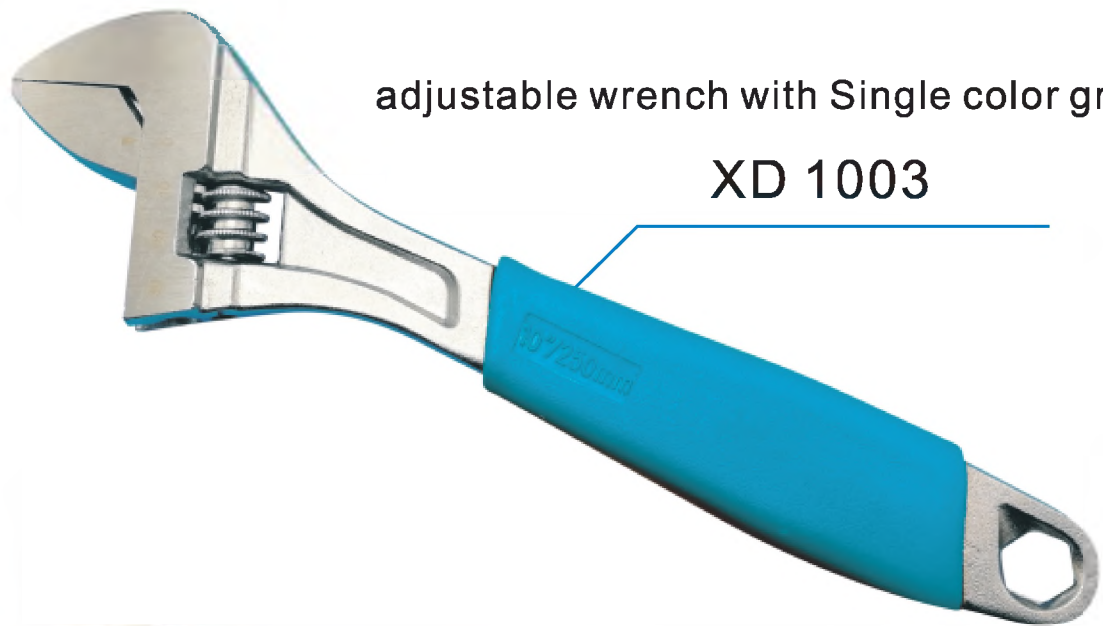
XD 1001



XD 1002



Precision machined provides great coordination and operation.



adjustable wrench with Single color grip

XD 1003



adjustable wrench with double color grip

XD 1004



Multi-function adjustable wrench



XD 1005



XD 1006



INDUSTRIAL GRADE WIDE MOUTH
ADJUSTABLE WRENCH



XD 1007

MATERIAL: CHROME VANADIUM
FINISH: BLACK PHOSPHATING
SPECIFICATION: 6" 8" 10" 12"
LASER MARKING GRADUATION
TPR HANDLE GRIP

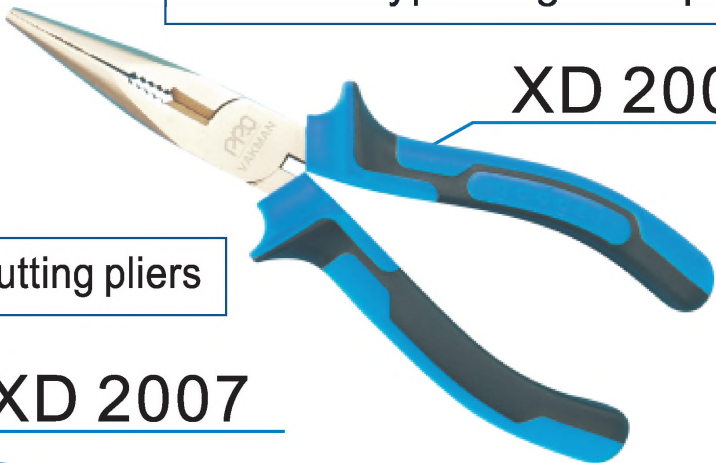


Length: 160mm 180mm 200mm
Material: 45# carbon steel / 55# carbon steel / CR-V
Grip: PVC TPR
Surface treatment: Nickel Plated , Polished



German type combination pliers

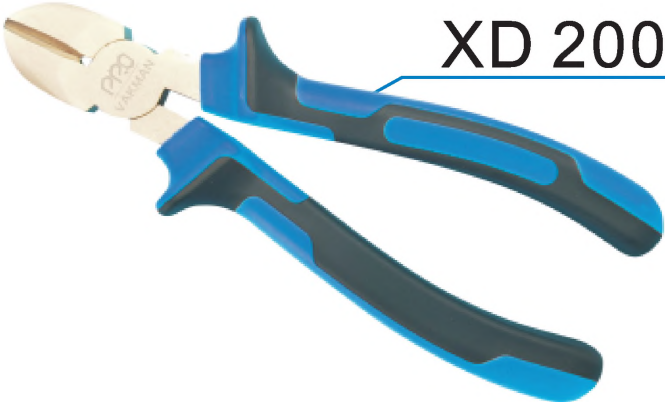
XD 2005



German type long nose pliers

XD 2006

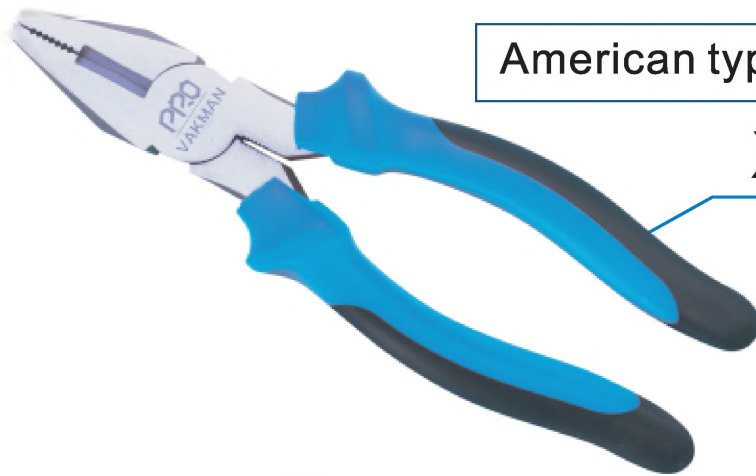
German type diagonal cutting pliers



XD 2007



Length: 160mm 180mm 200mm
Material: 45# carbon steel / 55# carbon steel / CR-V
Grip : PVC TPR
Surface treatment: Nickel Plated , Polished



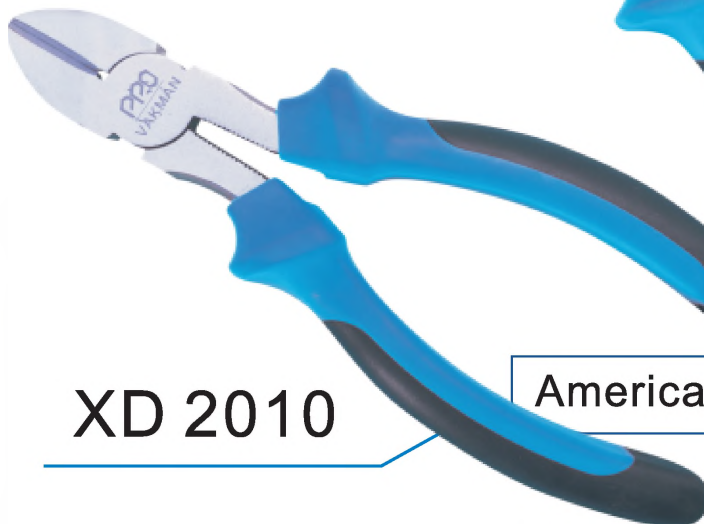
American type combination pliers

XD 2008



American type long nose pliers

XD 2009



XD 2010

American type diagonal cutting pliers



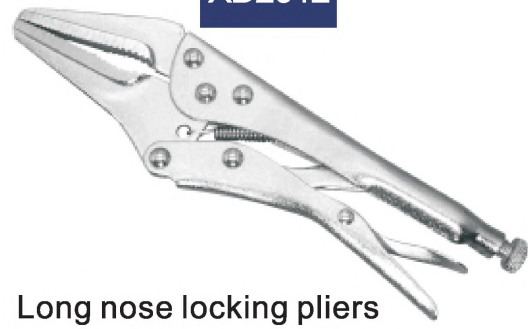
XD2011



Round jaw locking pliers



XD2012



Long nose locking pliers



XD2013



Filter locking pliers



XD2014



C-type locking pliers



XD2015



Welding locking pliers



XD2016



SM edge folded pliers



caulking gun series



XD 3001

half barrel ratchet rod caulking gun



XD 3002

super ratchet rod
caulking gun



XD 3003

super ratchet rod
caulking gun

half barrel smooth rod caulking gun



XD 3004



caulking gun series

heavy duty
caulking gun

XD 3005

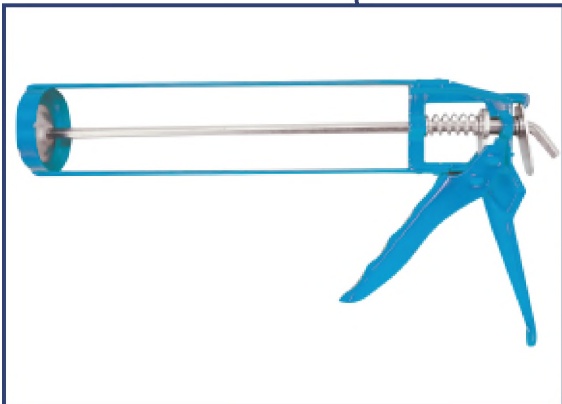
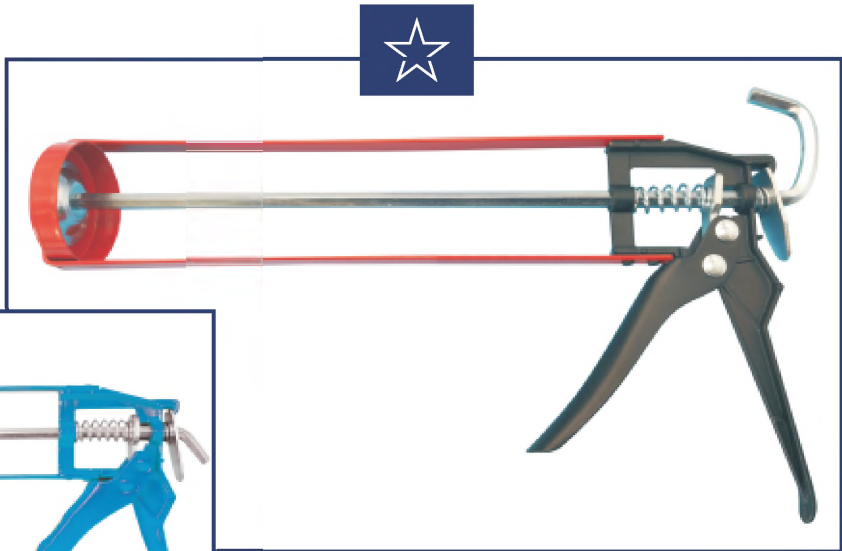


Aluminum Tube caulking gun

XD 3006

heavy skeleton
type caulking gun

XD 3007



skeleton type caulking gun

XD 3008

Алматы (7273)495-231
Ангарск (3955)60-70-56
Архангельск (8182)63-90-72
Астрахань (8512)99-46-04
Барнаул (3852)73-04-60
Белгород (4722)40-23-64
Благовещенск (4162)22-76-07
Брянск (4832)59-03-52
Владивосток (423)249-28-31
Владикавказ (8672)28-90-48
Владимир (4922)49-43-18
Волгоград (844)278-03-48
Вологда (8172)26-41-59
Воронеж (473)204-51-73
Екатеринбург (343)384-55-89

Россия +7(495)268-04-70

Иваново (4932)77-34-06
Ижевск (3412)26-03-58
Иркутск (395)279-98-46
Казань (843)206-01-48
Калининград (4012)72-03-81
Калуга (4842)92-23-67
Кемерово (3842)65-04-62
Киров (8332)68-02-04
Коломна (4966)23-41-49
Кострома (4942)77-07-48
Краснодар (861)203-40-90
Красноярск (391)204-63-61
Курск (4712)77-13-04
Курган (3522)50-90-47
Липецк (4742)52-20-81

Казахстан +7(7172)727-132

Магнитогорск (3519)55-03-13
Москва (495)268-04-70
Мурманск (8152)59-64-93
Набережные Челны (8552)20-53-41
Нижегород (831)429-08-12
Новокузнецк (3843)20-46-81
Ноябрьск (3496)41-32-12
Новосибирск (383)227-86-73
Омск (3812)21-46-40
Орел (4862)44-53-42
Оренбург (3532)37-68-04
Пенза (8412)22-31-16
Петрозаводск (8142)55-98-37
Псков (8112)59-10-37
Пермь (342)205-81-47

Киргизия +996(312)96-26-47

Ростов-на-Дону (863)308-18-15
Рязань (4912)46-61-64
Самара (846)206-03-16
Саранск (8342)22-96-24
Санкт-Петербург (812)309-46-40
Саратов (845)249-38-78
Севастополь (8692)22-31-93
Симферополь (3652)67-13-56
Смоленск (4812)29-41-54
Сочи (862)225-72-31
Ставрополь (8652)20-65-13
Сургут (3462)77-98-35
Сыктывкар (8212)25-95-17
Тамбов (4752)50-40-97
Тверь (4822)63-31-35

Тольятти (8482)63-91-07
Томск (3822)98-41-53
Тула (4872)33-79-87
Тюмень (3452)66-21-18
Ульяновск (8422)24-23-59
Улан-Удэ (3012)59-97-51
Уфа (347)229-48-12
Хабаровск (4212)92-98-04
Чебоксары (8352)28-53-07
Челябинск (351)202-03-61
Череповец (8202)49-02-64
Чита (3022)38-34-83
Якутск (4112)23-90-97
Ярославль (4852)69-52-93

vnb@nt-rt.ru || <https://vakman.nt-rt.ru/>